

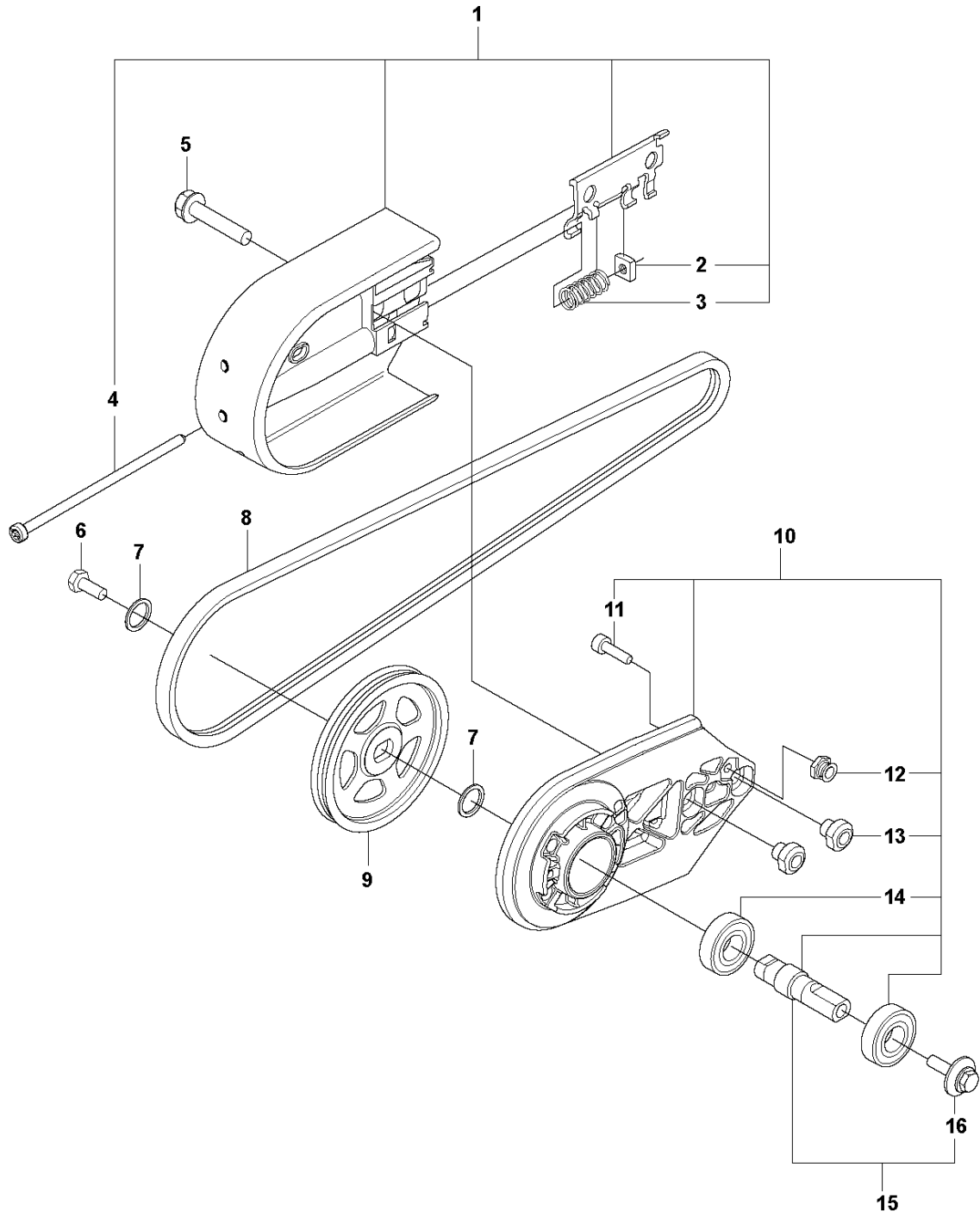


# SPARE PARTS LIST

POWER CUTTERS

K1270 II / K1270 II RAIL, 2019-12

**A** K1270 II / K1270 II RAIL  
BELT GUARD & PULLEY

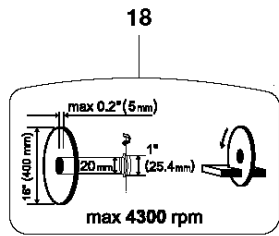
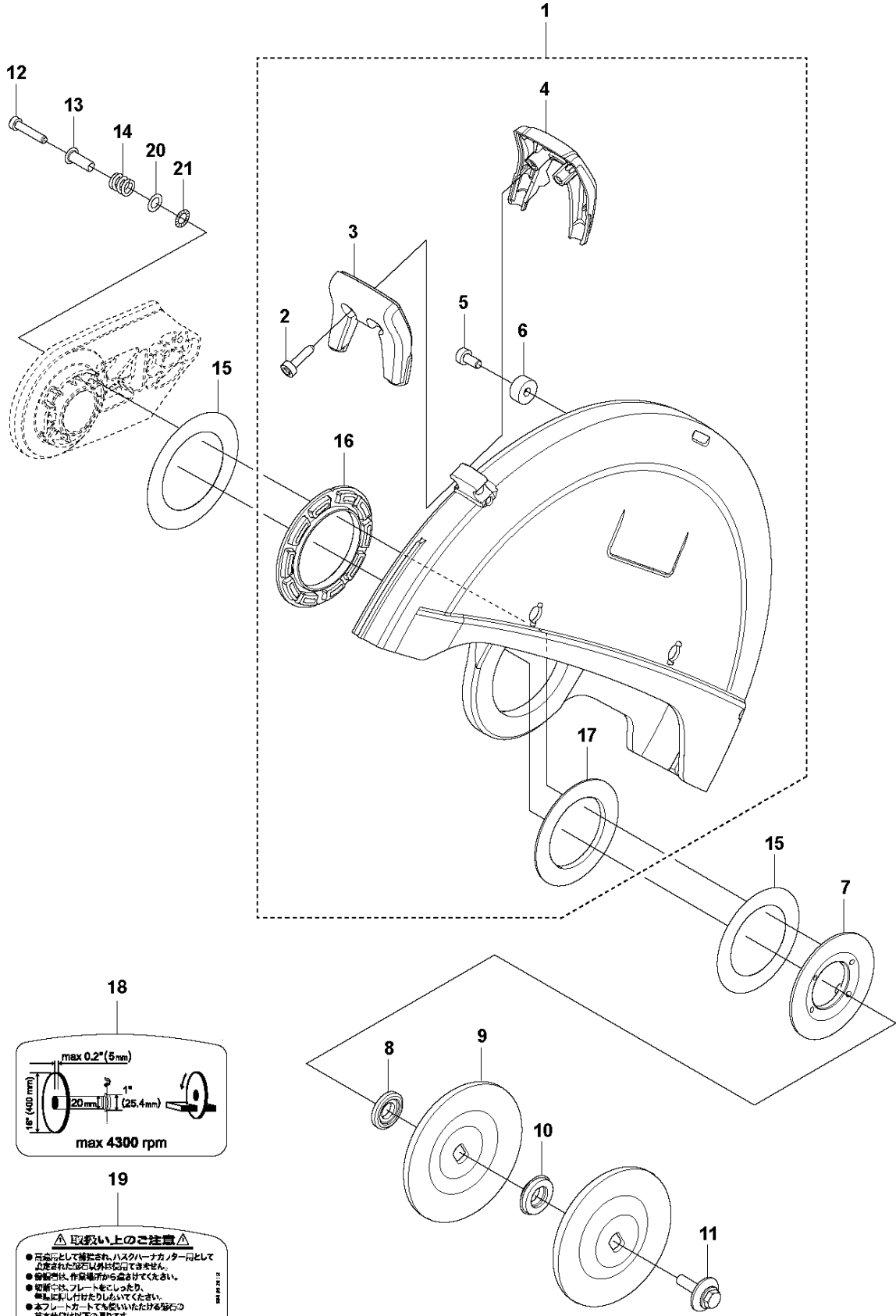


## BELT GUARD &amp; PULLEY

K1270 II / K1270 II RAIL, 2019-12

Ref	Part No	Description	Remark	QTY KIT	
1	506 27 92-06	BELT GUARD		1	
1	506 27 92-07	BELT GUARD	Rail 14"	1	
1	506 27 92-08	BELT GUARD	Rail 16"	1	
2	506 40 93-01	NUT		1	1
3	506 26 68-01	COMPRESSION SPRING		1	1
4	503 20 72-05	SCREW CITXSCM		1	1
5	506 28 44-01	SCREW EHHFM		2	
6	503 20 00-45	SCREW EHHFM		1	
7	503 23 01-04	WASHER		2	
8	544 97 63-01	BELT	14" 16", Rail 14"	1	
8	544 97 63-02	BELT	Rail 16"	1	
9	578 11 05-01	PULLEY		1	
10	589 39 03-03	BEARING HOUSING		1	
11	505 57 41-16	SCREW ITXSCM		1	10
12	586 41 69-01	STOP		1	10
13	584 78 81-01	NUT		2	10
14	583 95 33-01	BALL BEARING		2	10
15	588 99 24-03	SHAFT		1	
16	590 50 38-01	SCREW		1	15

**B** K1270 II  
BLADE GUARD



19

**△ 取扱い上のご注意 △**

- 商品として提供され、ハスクバーナカッター品として認定された部品以外は使用できません。
- 取扱書は、作業場から遠ざけてください。
- 切断中は、フレートをしっかりと、常に押し付けたりしないでください。
- 本フレートカードでも扱いがたいかなる形での過本仕様は以下の通りです。

適用径サイズ 380x4 Bitmm  
最高回転速度 90 m/sec

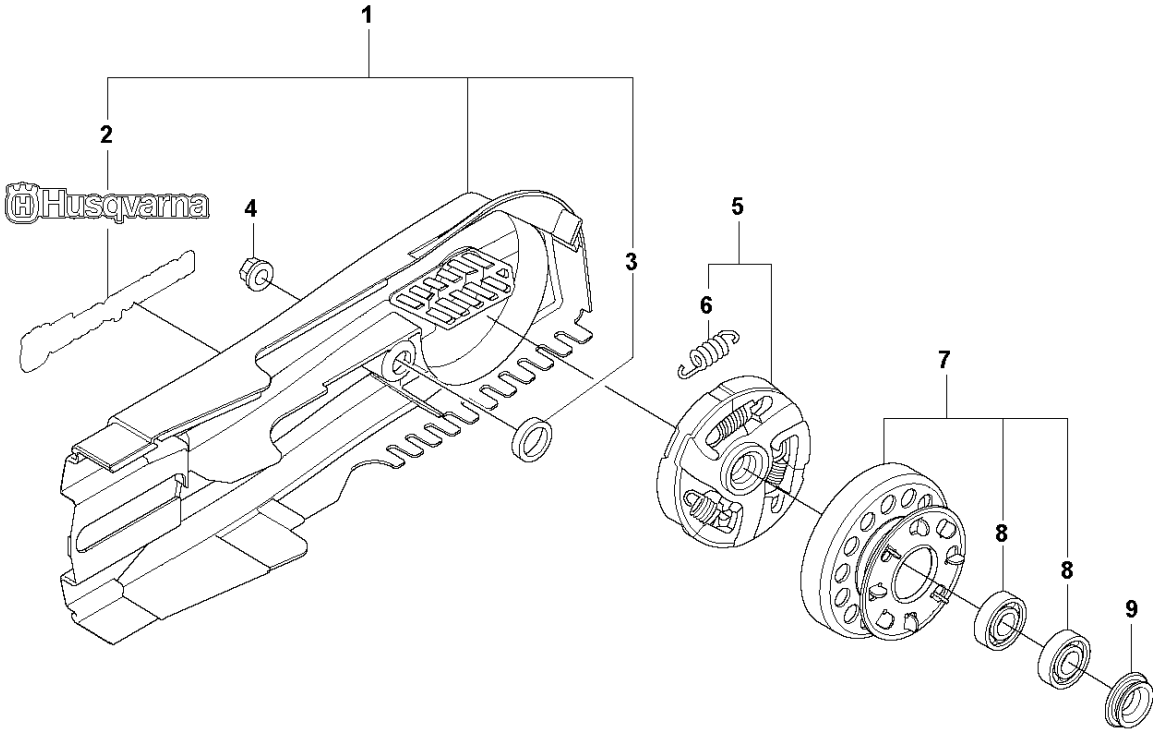
Husqvarna

## BLADE GUARD

K1270 II / K1270 II RAIL, 2019-12

Ref	Part No	Description	Remark	QTY	KIT
1	581 35 19-04	WHEEL GUARD	14"	1	
1	581 35 19-06	WHEEL GUARD	16"	1	
2	504 90 94-14	SCREW ITXSCT		2	1
3	578 19 09-01	HANDLE HALF		1	1
4	578 76 09-01	HANDLE HALF		1	1
5	504 90 94-10	SCREW ITXSCT		1	1
6	581 62 03-01	STOP		1	1
7	584 43 77-01	DISC		1	
8	584 43 83-01	SUPPORT FLANGE		1	
9	583 87 44-02	FLANGE	Diam 105mm	1	
9	506 07 09-02	FLANGE WASHER	Diam 119mm Japan 14", 16"	1	
10	581 60 54-03	BUSHING	Diam 30,5 mm	1	
10	578 39 82-01	BUSHING	Diam 20/25,4mm	1	
10	506 37 96-22	KIT	Diam 22,2mm	1	
11	590 50 38-01	SCREW		1	
12	544 21 84-30	SCREW ITXSCT		4	
13	584 43 82-01	SLEEVE	14" Shiny	4	
13	584 43 82-02	SLEEVE	16" Black	4	
14	584 43 81-01	SPRING		4	
15	584 43 78-01	SHIM		2	
16	584 43 79-01	LINING		1	1
17	584 43 80-01	LINING		1	1
18	581 11 77-06	DECAL	14"	1	
18	581 11 77-07	DECAL	16"	1	
19	584 99 26-03	DECAL	16" Japan	1	
19	584 99 26-02	DECAL	14" Japan	1	
20	582 23 31-01	WASHER		2	
21	582 23 32-01	WASHER		2	

**C** K1270 II / K1270 II RAIL  
BELT GUARD

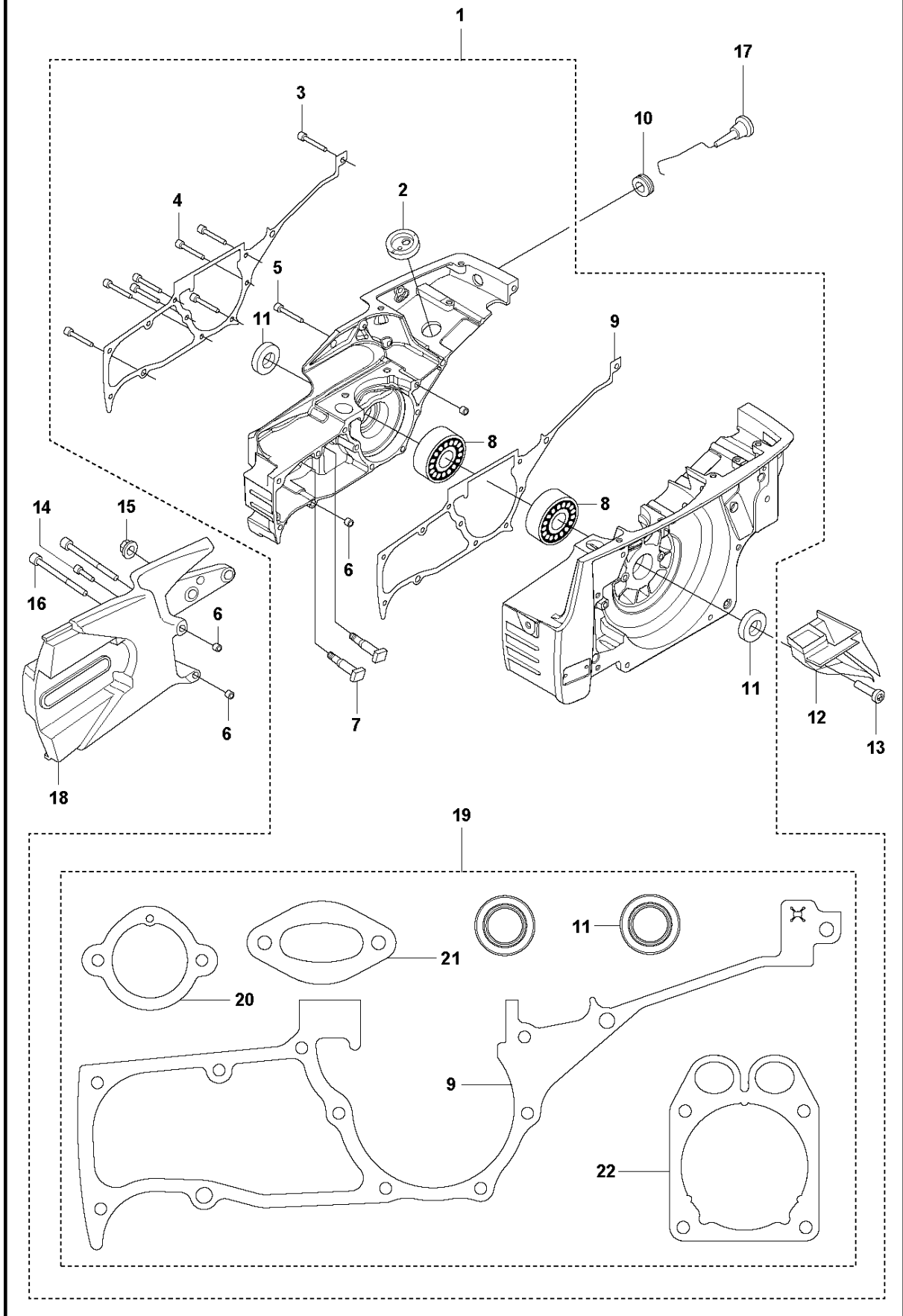


BELT GUARD

K1270 II / K1270 II RAIL, 2019-12

Ref	Part No	Description	Remark	QTY KIT	
1	506 27 17-04	BELT GUARD		1	
2	544 87 36-01	LABEL		1	1
3	506 26 84-01	SPACING SLEEVE		1	1
4	503 22 00-01	HEXAGON NUT		1	
5	503 14 49-01	CLUTCH ASSY		1	
6	503 14 51-01	CLUTCH SPRING		3	5
7	588 80 92-01	DRIVING PULLEY ASSY	14"	1	
7	588 80 92-02	DRIVING PULLEY ASSY	16"	1	
8	525 83 18-01	BALL BEARING		2	7
9	587 53 64-01	SPACING SLEEVE		1	

**D** K1270 II / K1270 II RAIL  
CRANKCASE



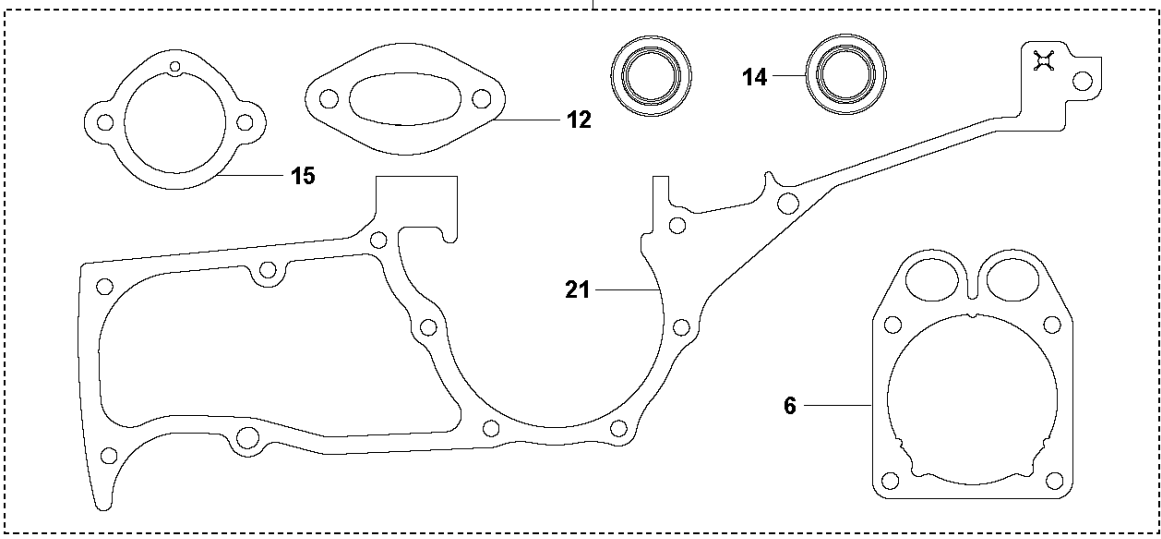
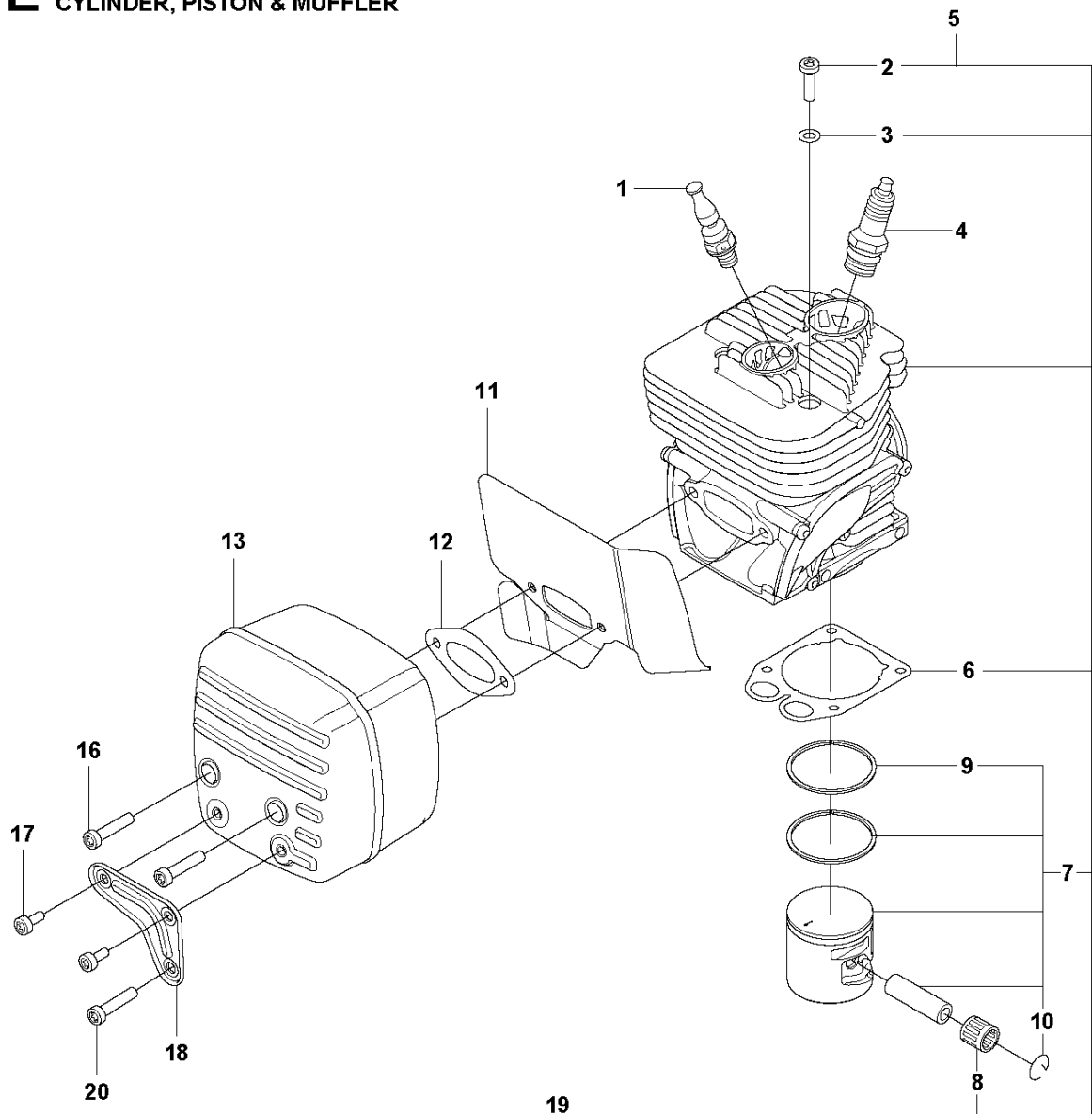


## CRANKCASE

K1270 II / K1270 II RAIL, 2019-12

Ref	Part No	Description	Remark	QTY	KIT
1	582 41 50-04	CRANKCASE		1	
2	503 13 20-01	GROMMET		1	1
3	503 21 53-20	SCREW ITXSCM		1	1
4	503 21 53-41	SCREW ITXSCM		7	1
5	544 21 84-20	SCREW ITXSCM		9	1
6	501 27 08-01	GUIDE BUSHING		1	1
7	501 81 57-01	BAR BOLT		4	1
8	503 25 00-02	BALL BEARING		2	1
9	582 35 00-01	GASKET		2	1, 19
10	503 14 54-02	GROMMET		1	
11	503 26 02-05	SEALING RING		1	1, 19
12	506 23 70-01	AIR NOZZLE		2	
13	501 98 10-01	SCREW ITXSCM		1	
14	503 21 53-21	SCREW ITXSCM		1	
15	503 22 00-01	HEXAGON NUT		1	
16	503 21 53-65	SCREW ITXSCM		1	
17	506 25 43-02	CHOKE CONTROL		2	
18	506 24 14-05	CUTTER ARM		1	
19	582 45 48-01	GASKET KIT		1	1
20	579 85 11-01	GASKET		1	1, 19
21	585 28 09-01	GASKET		1	1, 19
22	587 53 62-01	GASKET		1	1, 19

**E** K1270 II / K1270 II RAIL  
CYLINDER, PISTON & MUFFLER

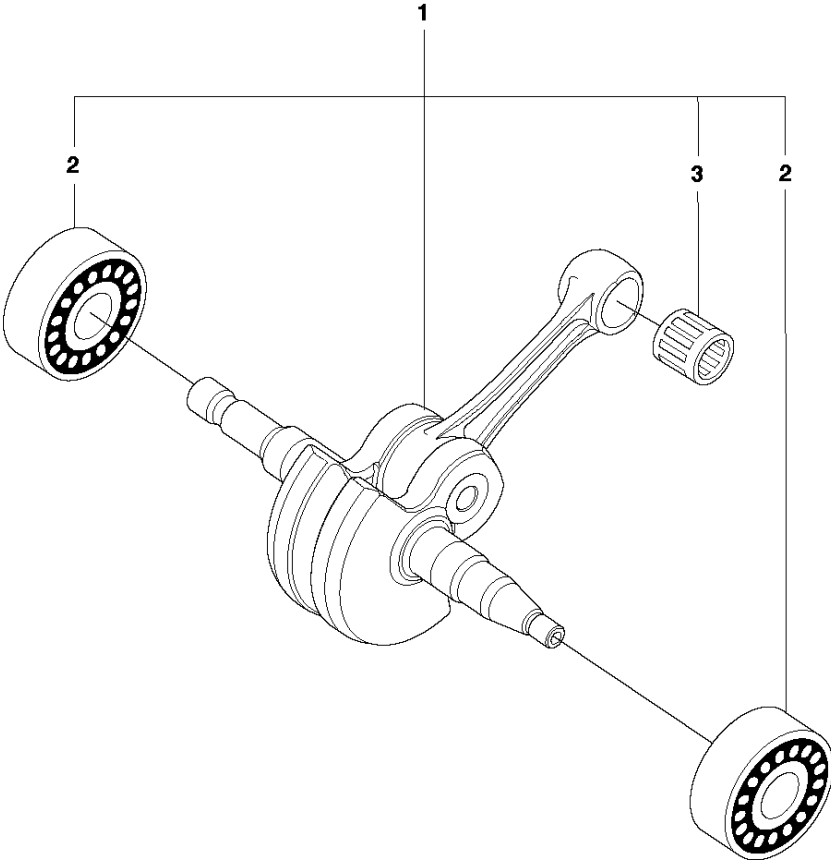


## CYLINDER, PISTON &amp; MUFFLER

K1270 II / K1270 II RAIL, 2019-12

Ref	Part No	Description	Remark	QTY	KIT
1	584 91 22-04	DECOMPRESSION VALVE		1	
2	516 00 24-01	SCREW UNC		4	5
3	503 23 00-05	WASHER		4	5
4	503 23 51-11	SPARK PLUG		1	
5	582 58 23-03	CYLINDER ASSY		1	
6	587 53 62-01	GASKET		1	5, 19
7	587 82 98-02	PISTON ASSY		1	5
8	503 13 29-01	NEEDLE HOLDER		1	5
9	587 83 00-01	PISTON RING		2	5, 7
10	737 44 13-00	CIRCLIP		2	5, 7
11	587 53 63-01	HEAT DEFLECTOR		1	
12	585 28 09-01	GASKET		1	19
13	505 41 79-05	MUFFLER ASSY		1	
14	503 26 02-05	SEALING RING		2	19
15	579 85 11-01	GASKET		1	19
16	544 21 84-07	SCREW ITXSCM		2	
17	503 21 53-12	SCREW ITXSCM		2	
18	502 85 08-01	SUPPORT		1	
19	582 45 48-01	GASKET KIT		1	
20	544 21 84-20	SCREW ITXSCM		1	
21	582 35 00-01	GASKET		1	19

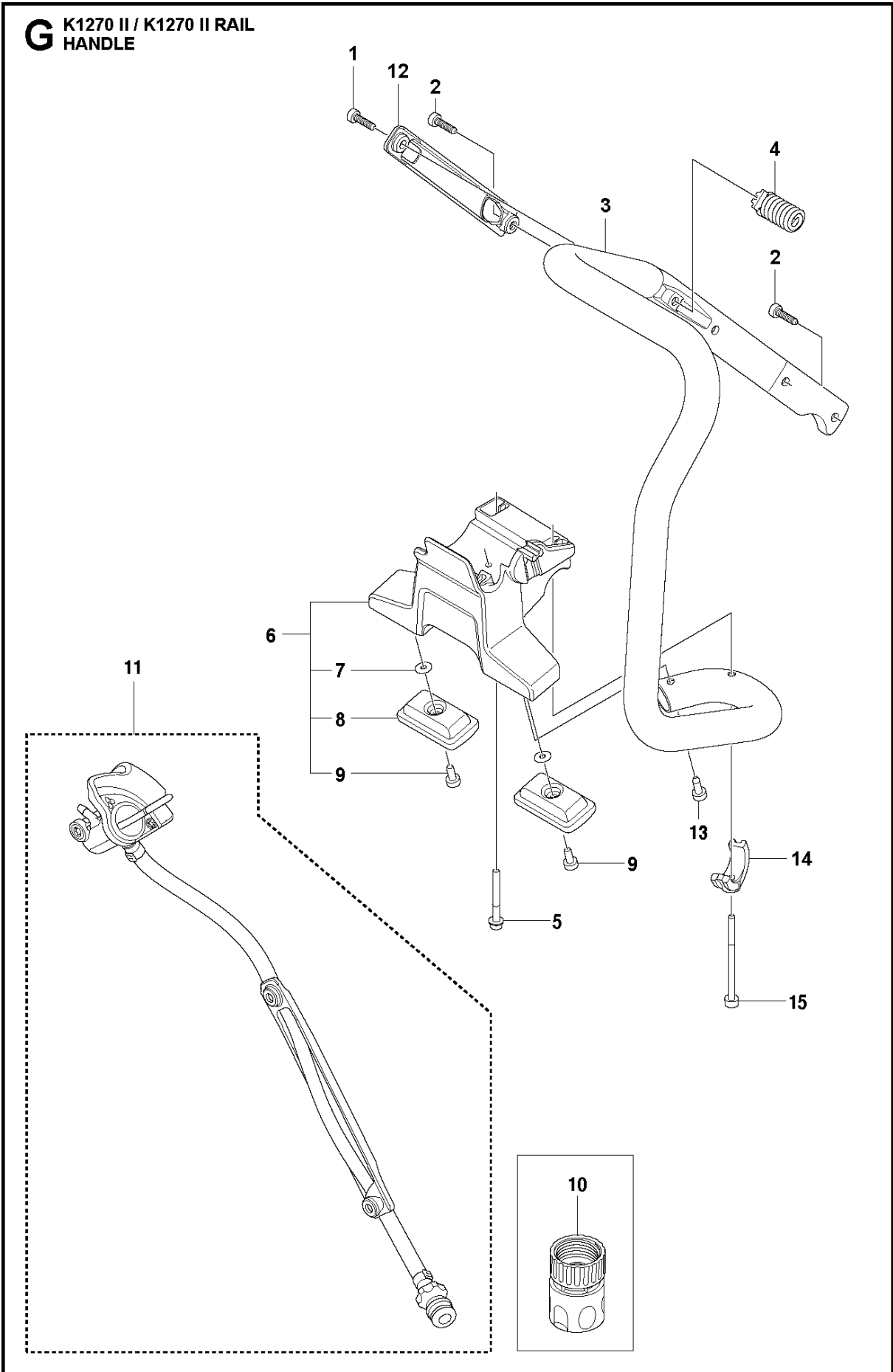
**F** K1270 II / K1270 II RAIL  
CRANKSHAFT



CRANKSHAFT

K1270 II / K1270 II RAIL, 2019-12

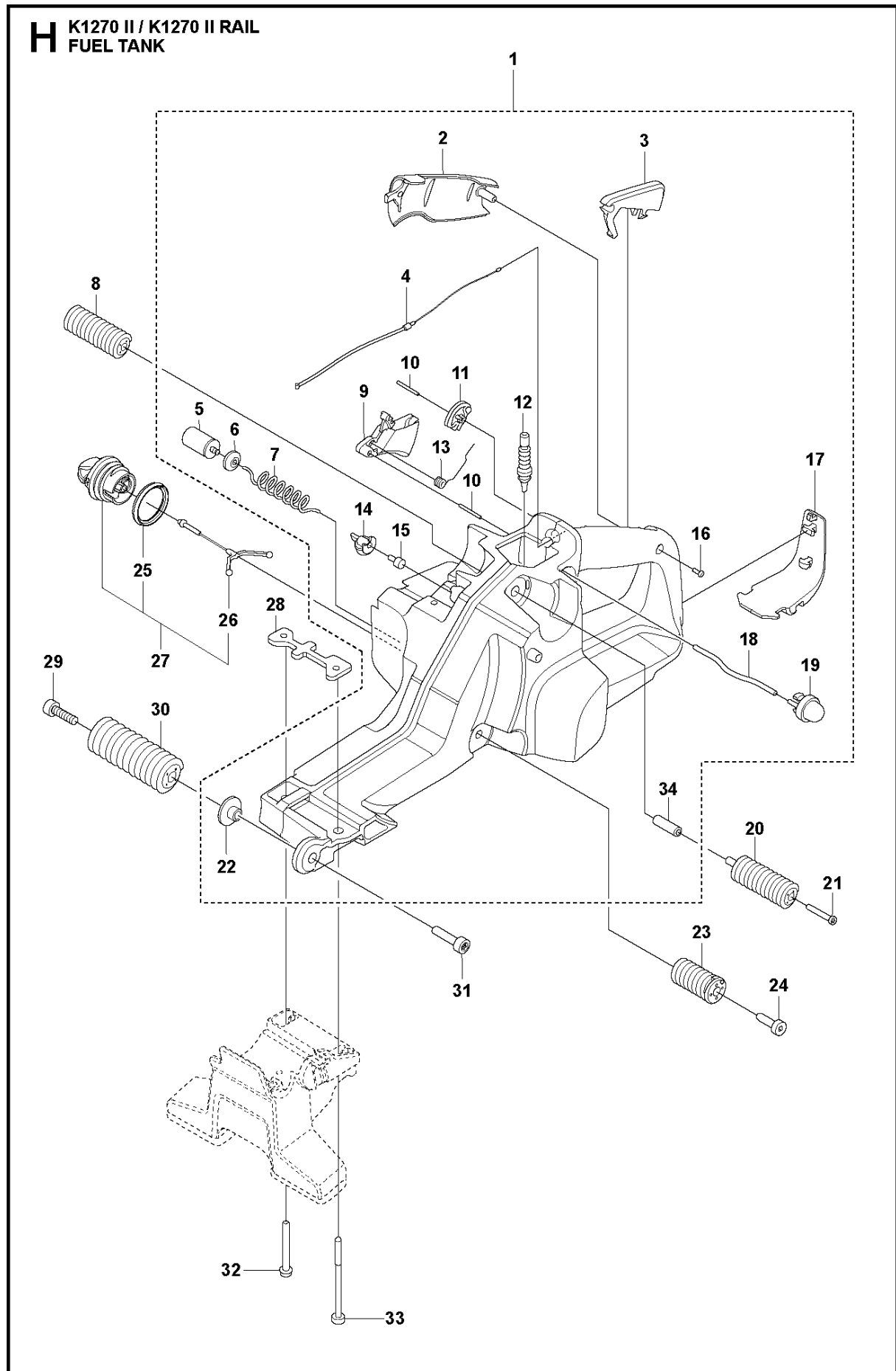
Ref	Part No	Description	Remark	QTY	KIT
1	577 34 38-03	CRANKSHAFT		1	
2	503 25 00-02	BALL BEARING		2	1
3	503 13 29-01	NEEDLE HOLDER		1	1



## HANDLE

K1270 II / K1270 II RAIL, 2019-12

Ref	Part No	Description	Remark	QTY	KIT
1	544 06 12-01	SCREW ITXSCM		1	
2	503 21 54-20	SCREW ITXSCT		2	
3	596 77 93-01	HANDLE		1	
4	585 90 56-01	ANTIVIBRATION ELEMENT		1	
5	525 75 52-04	SCREW ITXSFCM		2	
6	525 82 04-02	GROUND SUPPORT		1	
7	734 11 47-41	WASHER		2	6
8	544 81 16-01	BASE		2	6
9	504 90 94-14	SCREW ITXSCT		3	6
10	503 26 60-04	COUPLER		1	
10	503 26 60-03	COUPLER	USA, CANADA	1	
11	581 47 62-14	HOSE KIT		1	
12	596 55 27-01	HOSE GUARD		1	
13	582 82 08-01	SCREW		3	
14	579 83 27-01	HANDLE BRACKET		1	
15	503 21 53-75	SCREW		1	



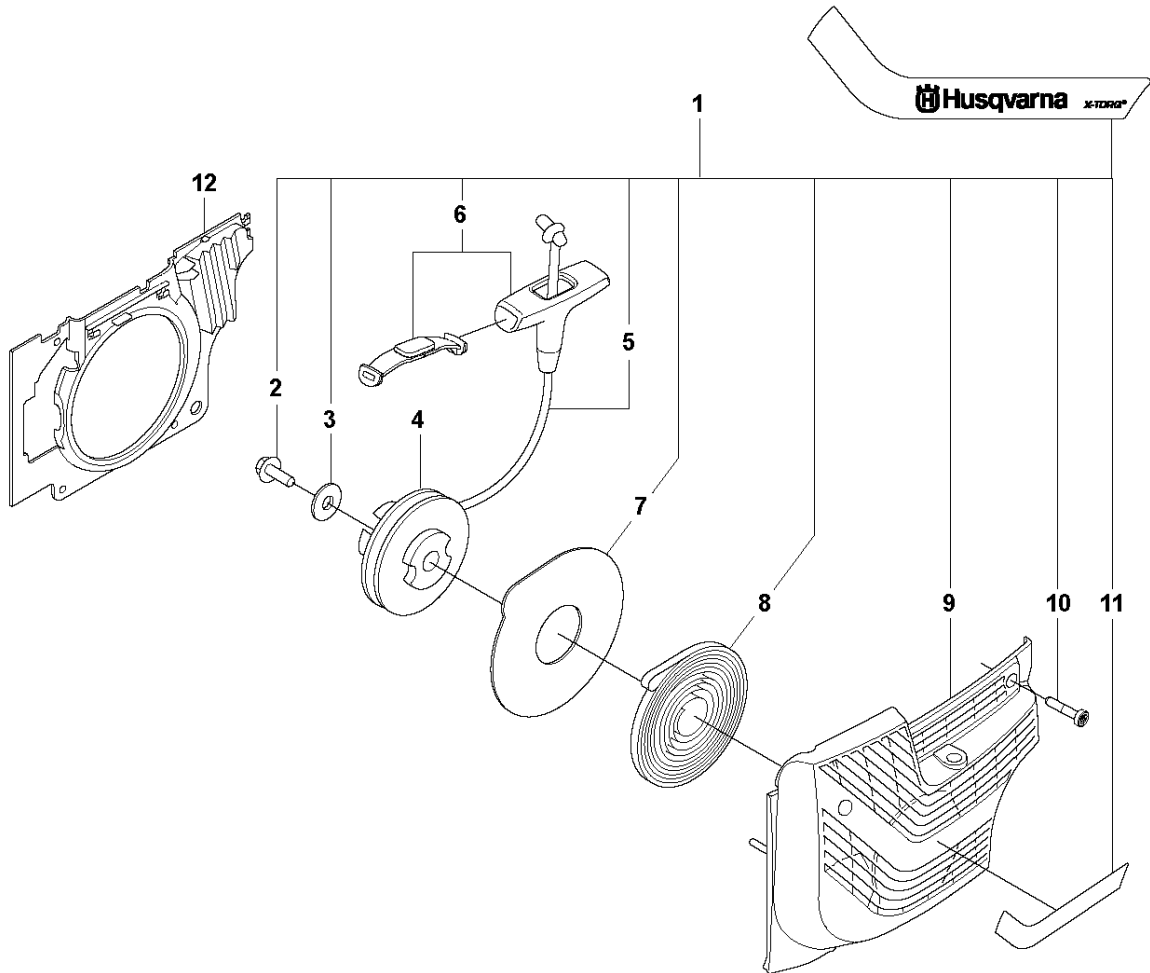


## FUEL TANK

K1270 II / K1270 II RAIL, 2019-12

Ref	Part No	Description	Remark	QTY	KIT
1	598 80 64-01	FUEL TANK		1	
2	537 20 56-01	COVER		1	1
3	510 25 52-01	THROTTLE LOCKOUT		1	1
4	596 92 77-01	THROTTLE CABLE ASSY		1	1
5	506 26 41-01	FUEL FILTER		1	1
6	506 27 11-01	HOSE CLAMP		1	1
7	581 75 62-03	FUEL HOSE		1	1
8	585 22 63-01	ANTIVIBRATION ELEMENT		1	
9	502 47 18-01	THROTTLE CONTROL		1	1
10	720 12 40-20	PARALLEL PIN		2	1
11	537 20 85-01	LEVER		1	1
12	576 13 99-01	FUEL HOSE		1	1
13	537 20 98-01	SPRING		1	1
14	577 31 35-01	TANK VENT VALVE ASSY		1	1
15	501 15 29-01	TANK VENT ASSY		1	1
16	525 88 74-02	SCREW CITXPANT		1	1
17	588 19 82-01	GROUND SUPPORT		1	1
18	537 04 24-19	FUEL HOSE		1	1
19	540 05 49-01	AIR CLEANER		1	1
20	585 22 64-01	ANTIVIBRATION ELEMENT		1	
21	544 21 84-20	SCREW ITXSCM		2	
22	503 14 08-01	BUSHING		1	1
23	537 21 03-05	ANTIVIBRATION ELEMENT		1	
24	544 06 12-01	SCREW ITXSCM		2	
25	589 24 11-01	GASKET		1	27
26	503 57 89-01	HOLDER		1	27
27	522 62 00-03	TANK CAP ASSY		1	
28	582 39 57-01	ATTACHMENT PLATE		1	
29	503 21 53-20	SCREW ITXSCM		1	
30	503 13 27-02	ANTIVIBRATION ELEMENT		1	
31	503 21 53-25	SCREW ITXSCM		2	
32	525 75 52-04	SCREW ITXSCFM		1	
33	503 21 53-75	SCREW		1	
34	503 13 49-01	SPACING TUBE		1	1

**J** K1270 II / K1270 II RAIL  
STARTER

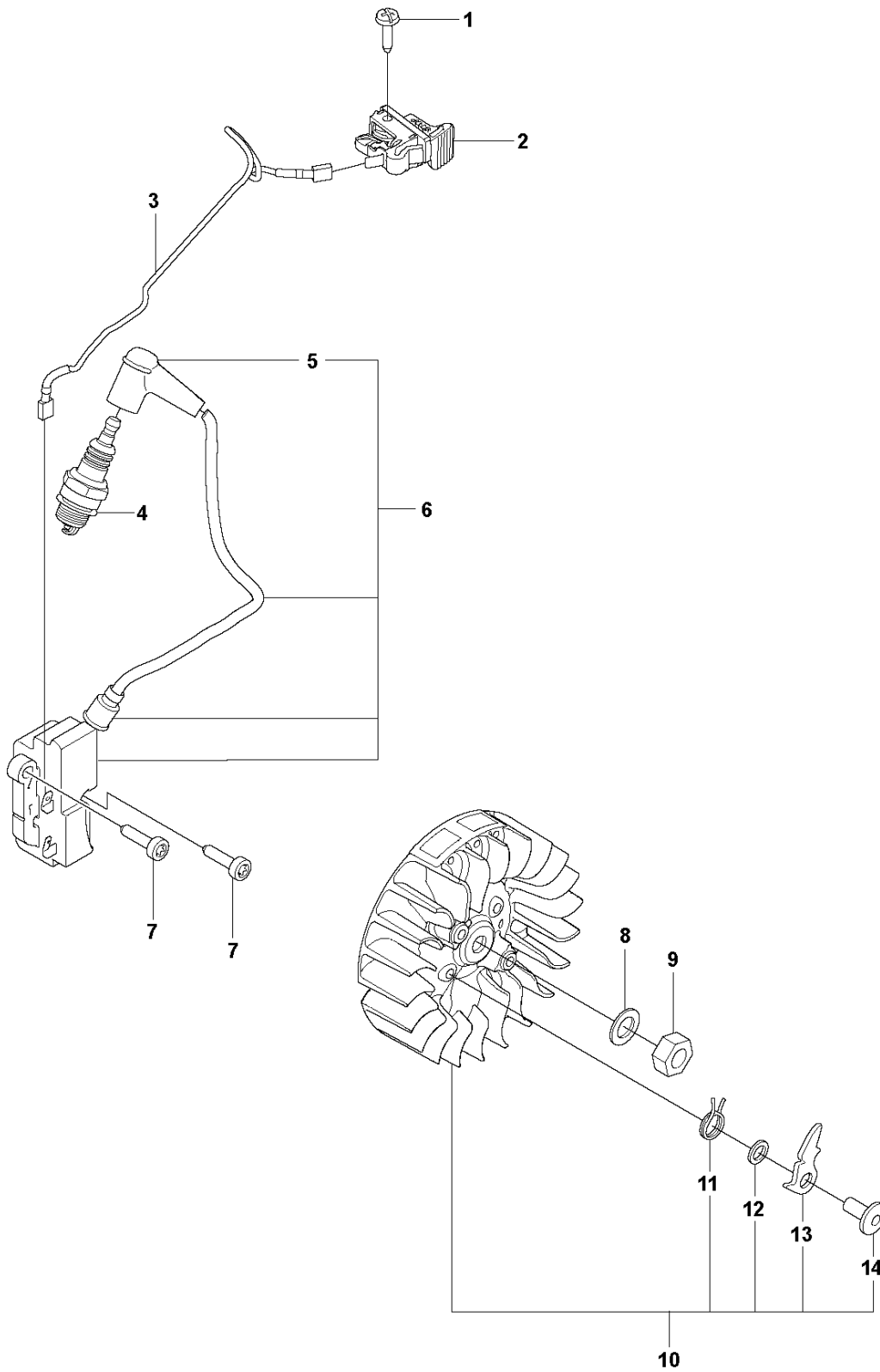


## STARTER

K1270 II / K1270 II RAIL, 2019-12

Ref	Part No	Description	Remark	QTY	KIT
1	506 27 55-10	STARTER		1	1
2	503 21 49-72	SCREW IHSCFT		1	1
3	503 23 43-02	WASHER		1	1
4	501 89 67-04	STARTER PULLEY		1	1
5	506 33 56-25	STARTER CORD		1	1
5	506 33 56-50	STARTER CORD	50meter	1	1
6	584 25 79-02	STARTER HANDLE ASSY		1	1
7	503 74 36-01	DISC		1	1
8	503 13 50-01	RECOIL SPRING		1	1
9	506 25 58-03	STARTER COVER		1	1
10	501 98 10-05	SCREW ITXSCM		4	1
11	582 14 19-01	DECAL		1	1
12	501 89 59-02	AIR CONDUCTOR		1	1
12	501 89 59-03	AIR CONDUCTOR	Rail stop switch only	1	

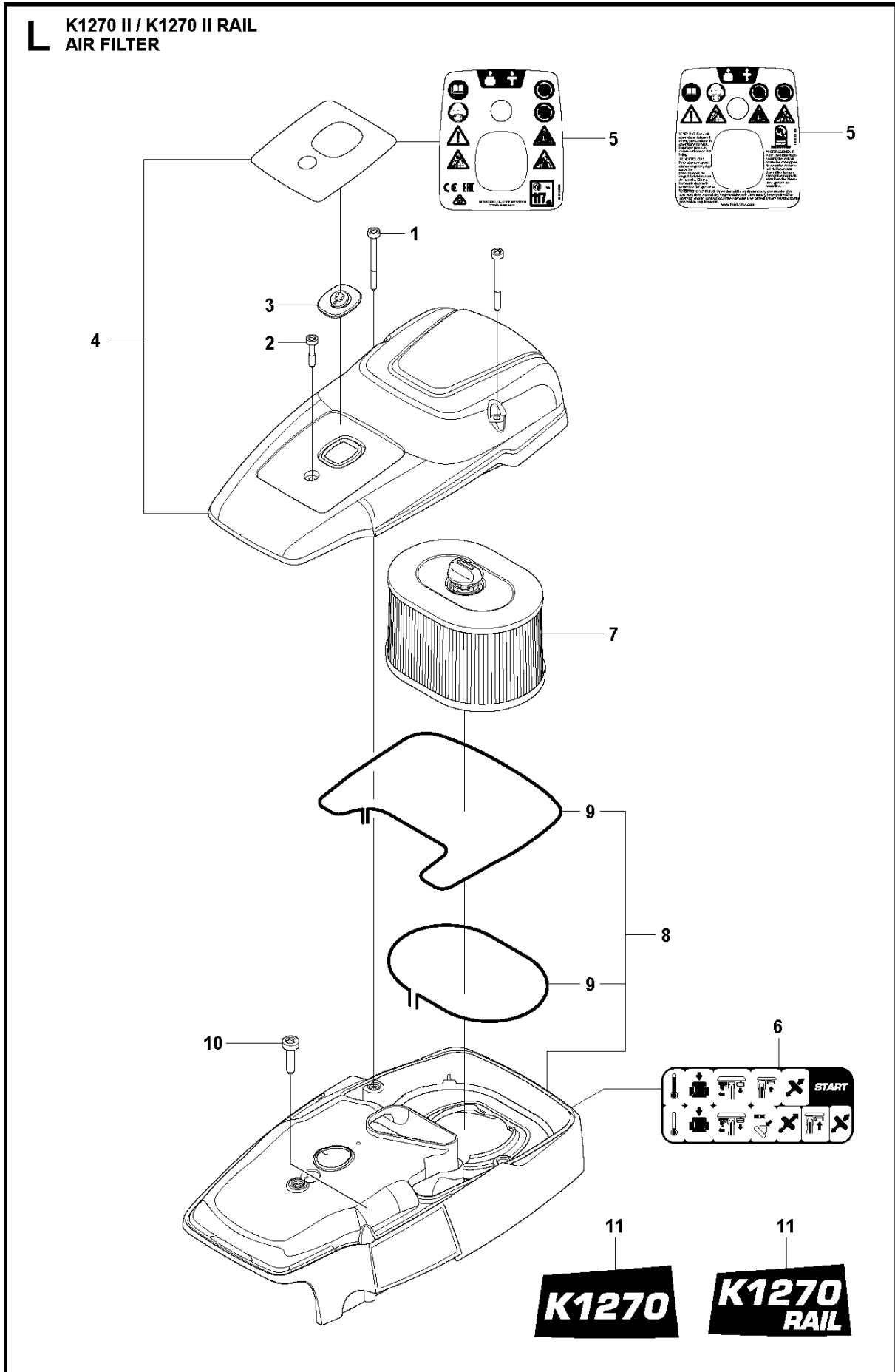
**K** K1270 II / K1270 II RAIL  
IGNITION SYSTEM



## IGNITION SYSTEM

K1270 II / K1270 II RAIL, 2019-12

Ref	Part No	Description	Remark	QTY	KIT
1	525 88 74-03	SCREW CITXPANT		1	
2	506 31 86-04	STOP SWITCH		1	
3	501 83 98-03	CABLE		1	
4	503 23 51-11	SPARK PLUG		1	
5	590 50 45-01	SPARK PLUG CAP		1	6
6	580 38 05-07	IGNITION MODULE		1	
7	525 82 49-13	SCREW ITXSCM		2	
8	735 11 73-50	SPRING WASHER		1	
9	503 22 10-11	HEXAGON NUT		1	
10	587 24 88-01	FLYWHEEL ASSY		1	
11	501 63 48-01	SPRING		2	10
12	503 23 00-42	WASHER		2	10
13	501 67 32-03	PAWL		2	10
14	501 81 99-01	SCREW		2	10

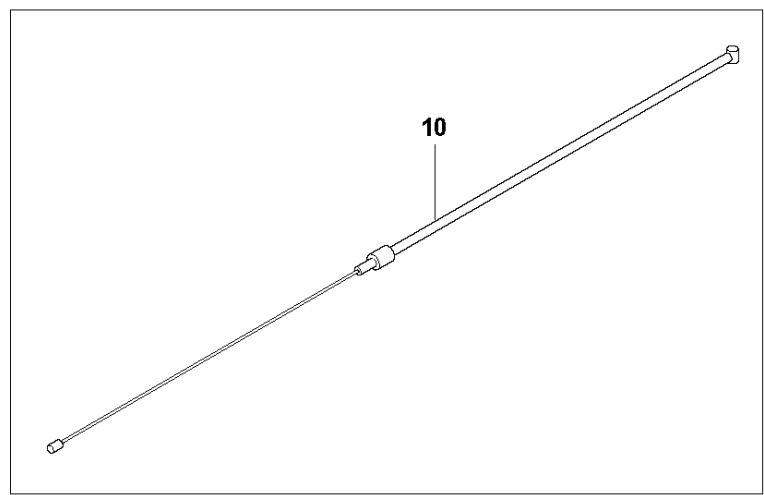
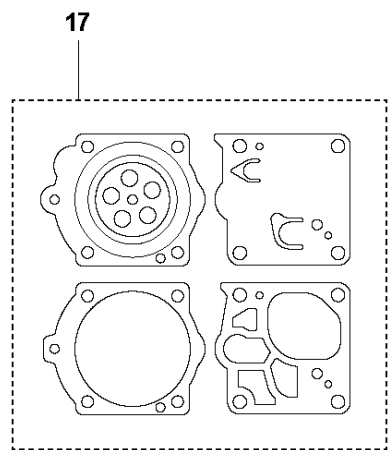
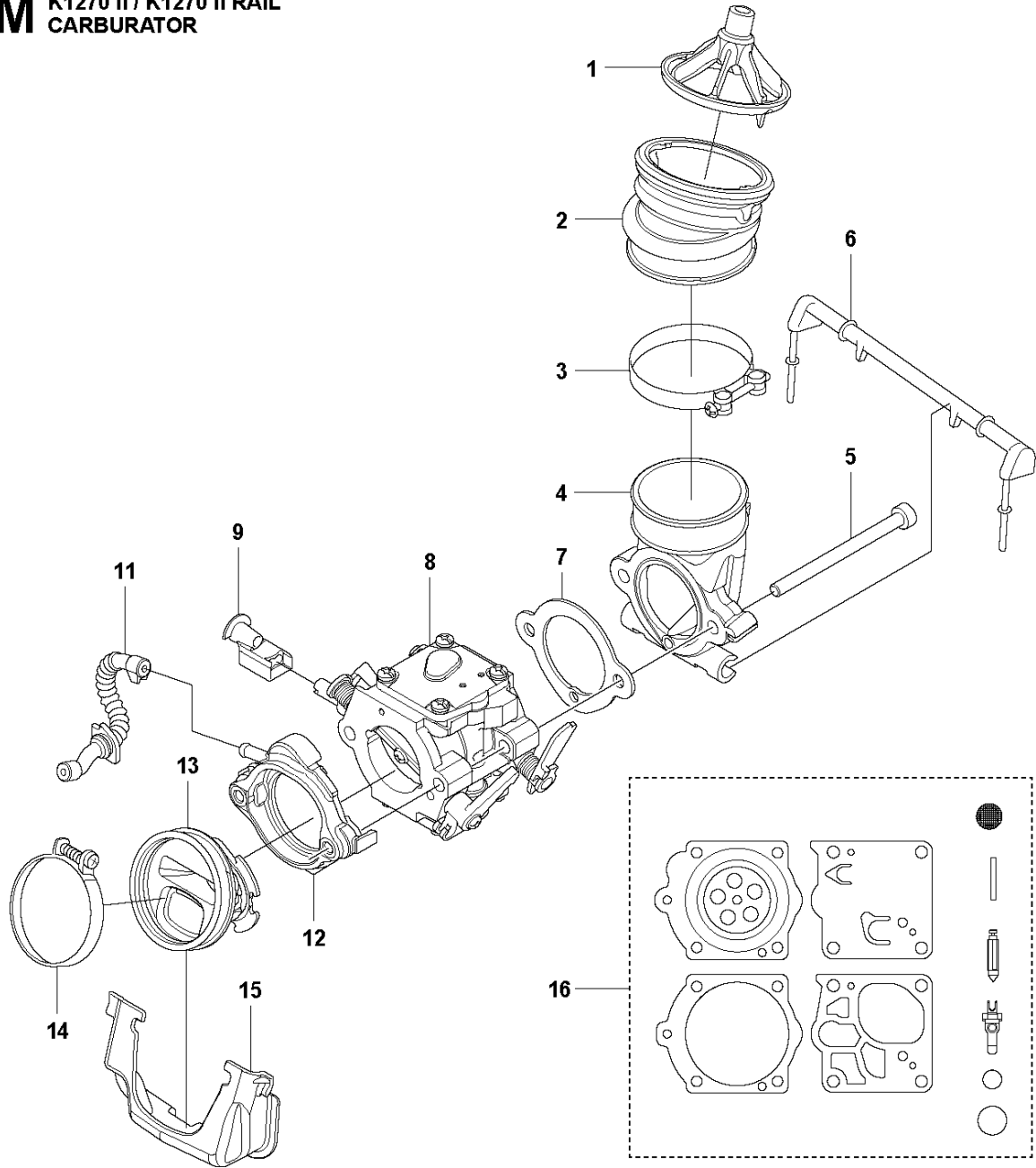


## AIR FILTER

K1270 II / K1270 II RAIL, 2019-12

Ref	Part No	Description	Remark	QTY	KIT
1	503 21 53-56	SCREW ITXSCM		2	
2	503 21 53-12	SCREW ITXSCM		1	
3	585 42 83-01	PLUG		1	
4	590 35 78-01	FILTER COVER ASSY		1	
5	589 02 38-04	DECAL	CE	1	4
5	589023805	TBD	USA, CANADA, MEXICO	1	4
6	544 87 38-03	LABEL		1	
7	510 24 41-05	AIR FILTER	Rail	1	
7	510 24 41-03	AIR FILTER	Standard	1	
8	576 55 32-03	CYLINDER COVER		1	
9	525 61 70-04	SEALING		2	8
10	503 21 53-30	SCREW ITXSCM		5	
11	525 81 69-03	LABEL	K1270	1	
11	525 81 69-04	LABEL	K1270 Rail	1	

**M** K1270 II / K1270 II RAIL  
CARBURATOR





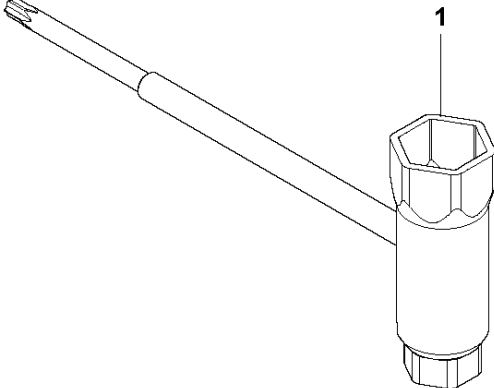
## CARBURATOR

K1270 II / K1270 II RAIL, 2019-12

Ref	Part No	Description	Remark	QTY KIT
1	510 24 39-01	FILTER		1
2	510 24 38-02	BELLOWS		1
3	505 28 33-11	HOSE CLAMP		1
4	588 75 07-01	INLET BEND		1
5	503 21 53-65	SCREW ITXSCM		2
6	506 25 04-01	SUPPORT		1
7	579 85 11-01	GASKET		1
8	597 85 70-01	CARBURETTOR		1
9	588 89 20-01	GUIDE SLEEVE		1
10	596 92 77-01	THROTTLE CABLE ASSY		1
11	582 12 57-01	IMPULSE HOSE		1
12	587 53 69-01	FLANGE		1
13	587 53 68-01	INLET PIPE		1
14	505 28 33-16	HOSE CLAMP		1
15	588 63 04-01	INSULATION WALL		1
16	582 60 65-01	REPAIR KIT		1
17	503 59 74-03	GASKET KIT		1

**N** K1270 II / K1270 II RAIL

**TOOLS**

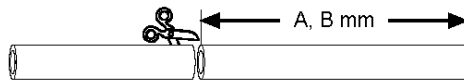


TOOLS

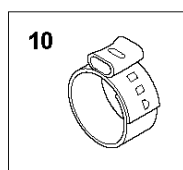
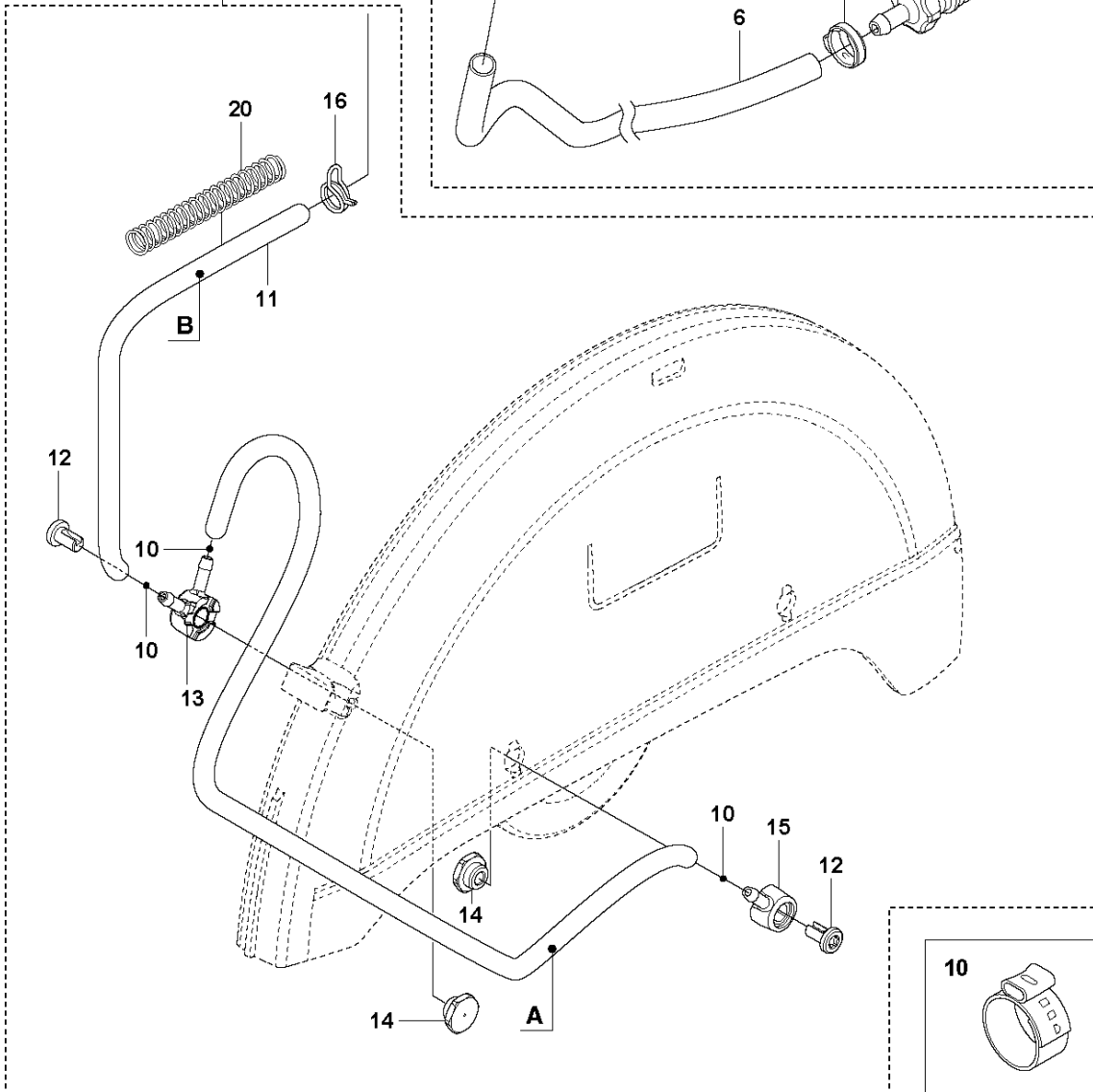
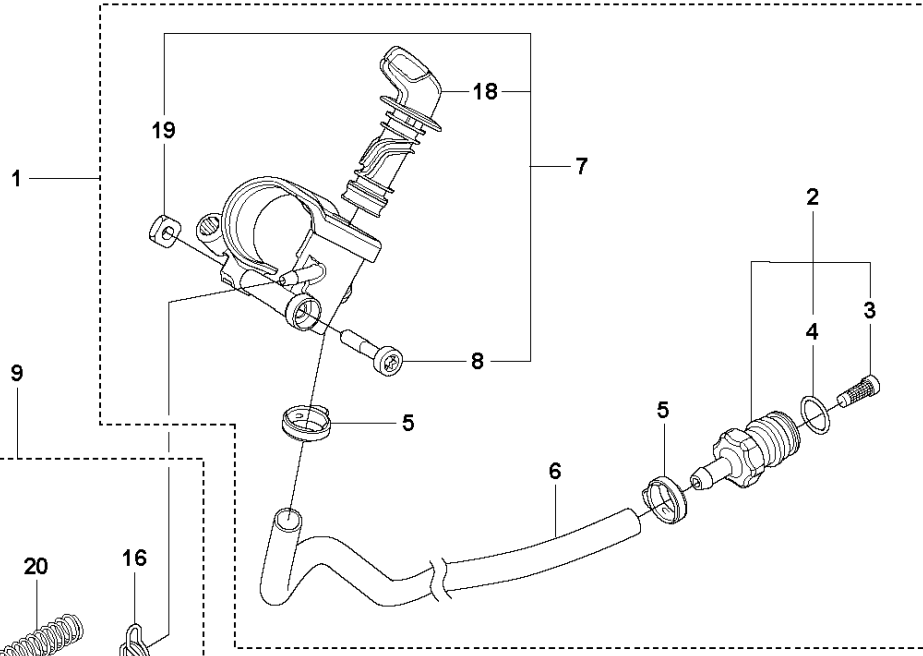
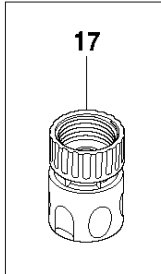
K1270 II / K1270 II RAIL, 2019-12

Ref	Part No	Description	Remark	QTY KIT
1	506 38 26-01	TOOL		1

**P** K1270 II / K1270 II RAIL  
WATER HOSE



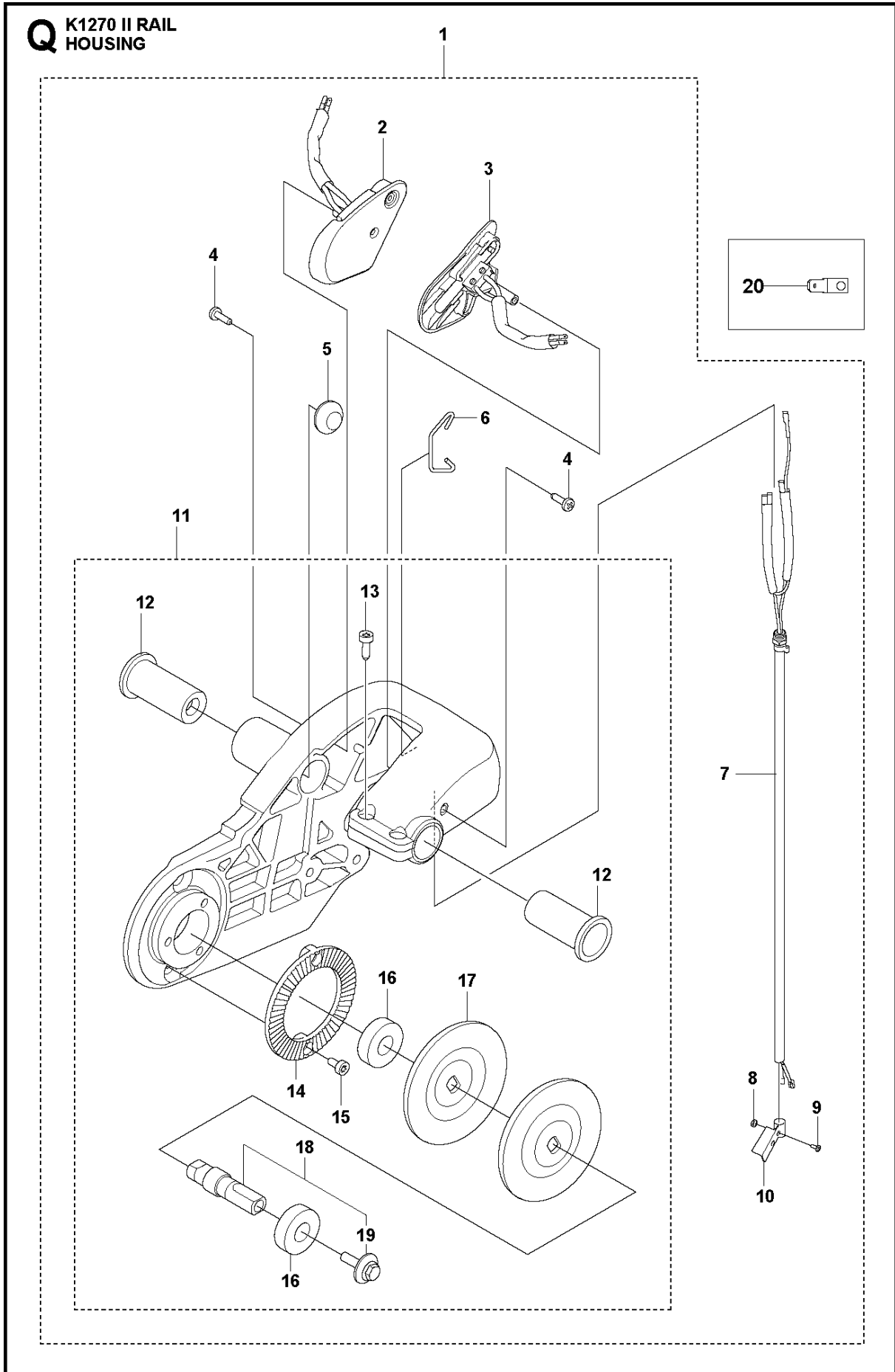
	A (mm)	B (mm)
K1270 14"	260	375
K1270 16"	240	375



## HOSE

K1270 II / K1270 II RAIL, 2019-12

Ref	Part No	Description	Remark	QTY	KIT
1	581 47 62-14	HOSE KIT		1	
2	581 47 83-02	NIPPLE		1	1
3	506 29 88-01	FILTER		1	1, 2
4	505 10 35-01	O-RING		1	1, 2
5	589 63 86-01	HOSE CLAMP		2	1
6	578 19 81-04	HOSE		1	1
7	578 24 33-04	VALVE ASSY		1	1
8	503 21 53-41	SCREW ITXSCM		1	1, 7
9	581 72 15-05	HOSE KIT		1	
10	589 63 86-01	HOSE CLAMP		3	9
11	581 89 35-08	HOSE		1	9
12	504 63 46-02	SCREW ITXSCM		2	9
13	587 38 89-01	HOUSING		1	9
14	576 79 84-04	NIPPLE		2	9
15	587 38 90-01	HOUSING		1	9
16	583 83 30-02	HOSE CLAMP		1	9
17	503 26 60-03	COUPLER	1/2"	1	
17	503 26 60-04	COUPLER	GHT 3/4"	1	
18	581 35 70-01	LEVER ASSY		1	1, 7
19	503 22 65-04	SQUARE NUT		1	1, 7
20	506 35 27-01	PROTECTIVE SPRING		1	9

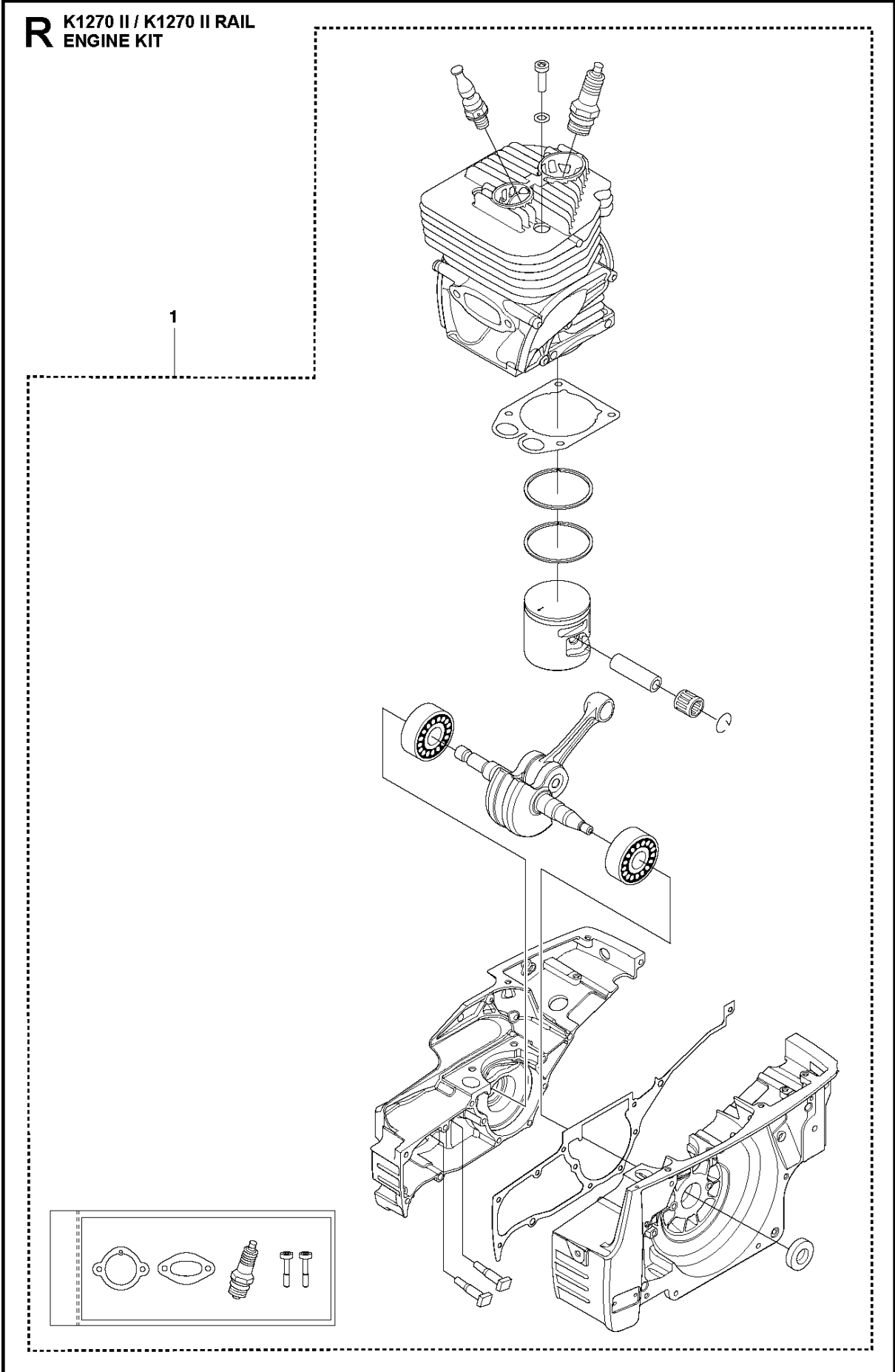


## HOUSING

K1270 II / K1270 II RAIL, 2019-12

Ref	Part No	Description	Remark	QTY	KIT
1	576 66 57-06	BEARING HOUSING ASSY	14" Rail Stop Switch	1	
2	506 35 91-04	STOP SWITCH		1	1
3	506 35 91-03	STOP SWITCH		1	1
4	729 52 91-71	SCREW CRPANT		2	1
5	506 35 96-01	SPACING BLOCK		1	1
6	501 35 43-01	CLIP		1	1
7	506 35 90-01	WIRING		1	1
8	588 22 21-01	HEXAGON NUT FLANGE		1	1
9	724 12 87-59	SCREW CRPANM		1	1
10	506 35 80-01	BRACKET		1	1
11	576 66 57-05	BEARING HOUSING ASSY	14" Rail	1	1
11	576 66 57-07	BEARING HOUSING ASSY	16" Rail	1	1
11	576 66 57-08	BEARING HOUSING ASSY	16" Rail USA	1	1
12	506 22 75-01	SLEEVE		2	1, 11
13	503 20 02-16	SCREW IHSCFM		2	1, 11
14	506 28 84-01	SCREEN		1	1, 11
15	503 21 53-10	SCREW ITXSCM		2	1, 11
16	583 95 33-01	BALL BEARING		2	1, 11
17	506 07 09-02	FLANGE WASHER		1	1, 11
18	588 99 24-03	SHAFT		1	1, 11
19	590 50 38-01	SCREW		1	1, 11, 18
20	535 03 94-01	CONNECTION		1	

**R** K1270 II / K1270 II RAIL  
ENGINE KIT



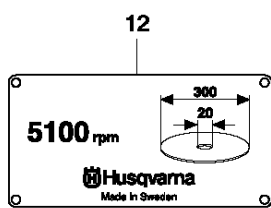
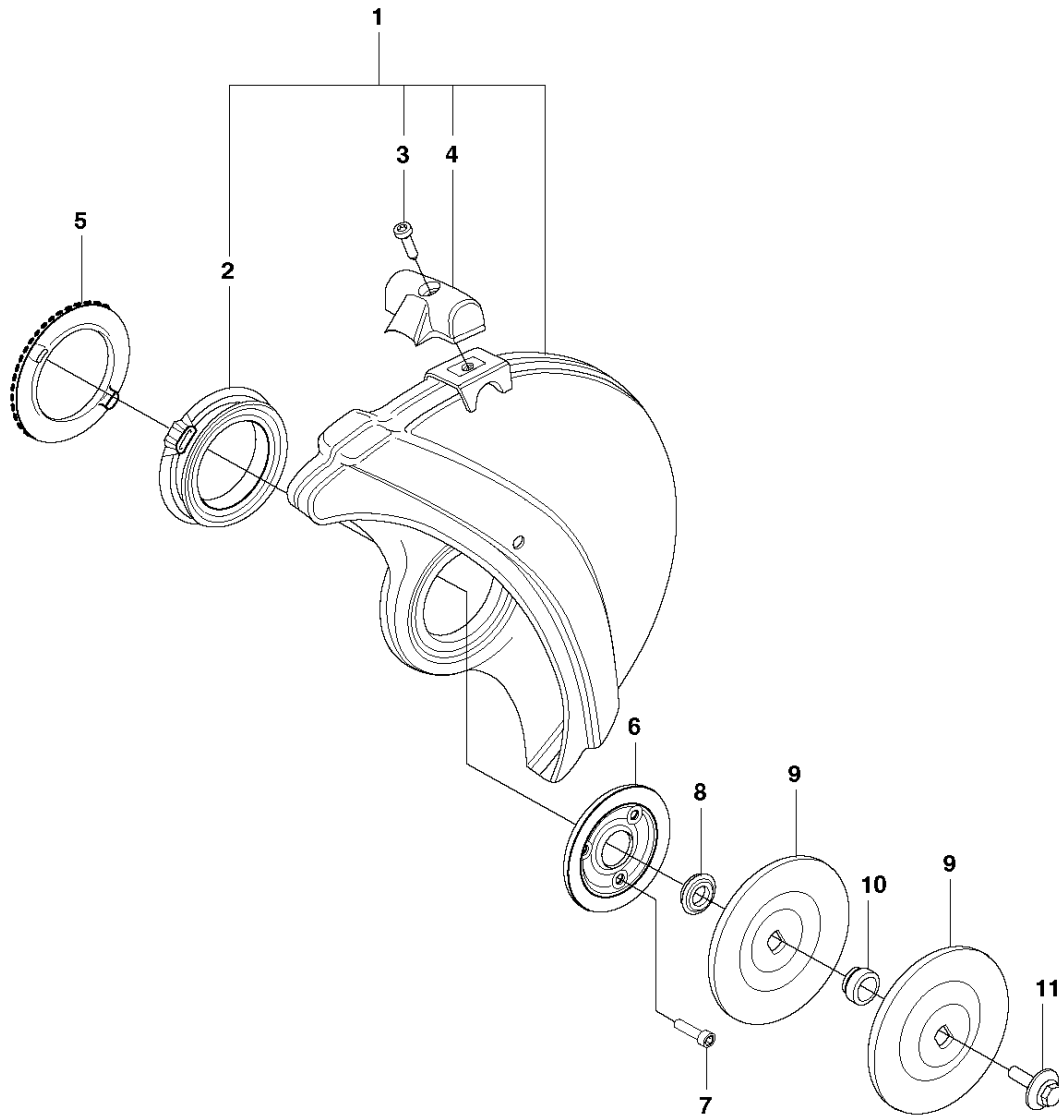


ENGINE KIT

K1270 II / K1270 II RAIL, 2019-12

Ref	Part No	Description	Remark	QTY KIT
1	582 41 50-05	CRANKCASE		1

**S** K1270 II RAIL  
BLADE GUARD

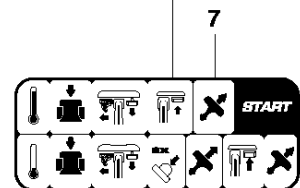
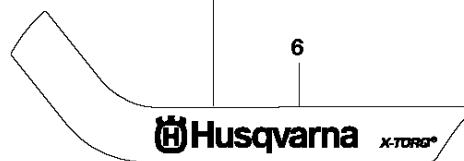
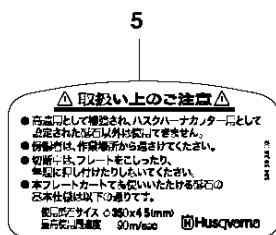
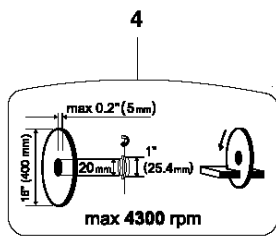
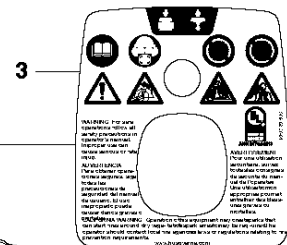
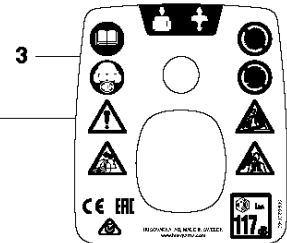
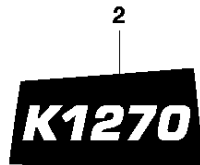
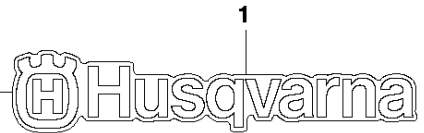
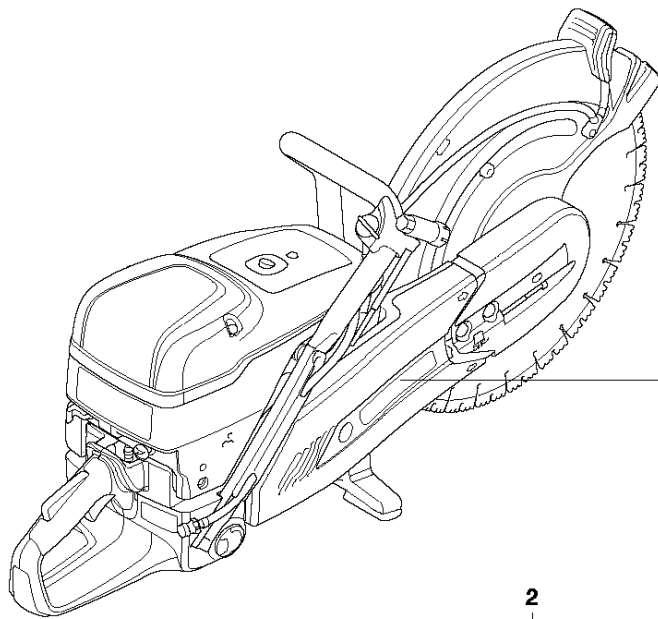


## BLADE GUARD

K1270 II / K1270 II RAIL, 2019-12

Ref	Part No	Description	Remark	QTY	KIT
1	506 34 05-54	BLADE GUARD	14" Rail	1	
1	506 34 05-56	BLADE GUARD	16" Rail	1	1
2	506 26 63-02	LINING		1	1
3	503 21 53-20	SCREW ITXSCM		1	1
4	506 34 46-02	HANDLE		1	
5	506 26 64-01	SCREEN		1	
6	506 26 65-01	FLANGE		1	
7	505 57 41-16	SCREW ITXSCM		3	
8	506 32 48-01	SUPPORT FLANGE		1	
9	583 87 44-02	FLANGE	Diam 105mm	1	
9	506 07 09-02	FLANGE WASHER	Diam 119mm	2	
10	506 37 96-20	KIT	Diam 20mm	1	
10	506 37 96-22	KIT	Diam 22,2mm	1	
10	506 37 96-25	KIT	Diam 25,4mm	1	
10	506 02 88-30	BUSHING	Diam 30,5mm	1	
11	590 50 38-01	SCREW		1	
12	506 28 41-03	LABEL	14" Rail Diam 25,4mm	1	
12	506 28 41-05	LABEL	16" Rail Diam 25,4mm	1	
12	506 28 41-14	LABEL	14" Diam 25,4mm	1	
12	506 28 41-22	LABEL	16" Diam 20mm	1	
12	506 28 41-24	LABEL	16" Diam 25,4mm	1	

**T** K1270 II  
DECALS

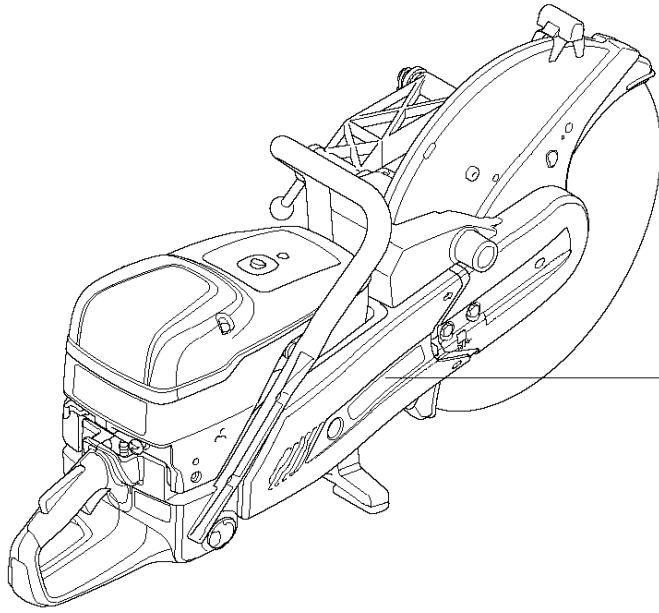


## DECALS

K1270 II / K1270 II RAIL, 2019-12

Ref	Part No	Description	Remark	QTY KIT
1	544 87 36-01	LABEL		1
2	525 81 69-03	LABEL		1
3	589 02 38-04	DECAL		1
3	589 02 38-01	DECAL	USA, CANADA	1
4	581 11 77-06	DECAL	14" 20/25,4mm	1
4	581 11 77-07	DECAL	16" 20/25,4mm	1
5	584 99 26-02	DECAL	14" JAPAN	1
5	584 99 26-03	DECAL	16" JAPAN	1
6	582 14 19-01	DECAL		1
7	544 87 38-03	LABEL		1

**U** K1270 II RAIL  
DECALS



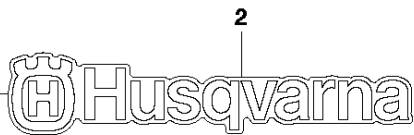
1

**△ 取扱以上のご注意 △**

パートナーカッターは、取扱いを誤ると危険を及ぼすことが  
あります。安全作業のために取扱説明書に従って下さい。

- ・ このパートナーカッターは、全ての使用目的、メンテナンスのため、取扱説明書の内容を、よく読み、理解しよて取付けて下さい。
- ・ 取付後として使用前に、パートナーカッターとして認定された使用目的のみで使用して下さい。
- ・ 取扱説明書に、安全作業の注意事項が記載されています。
- ・ 刃先、刃裏の形状、入る方向、安全装置、安全装置、安全装置、安全装置などと、取付けて下さい。
- ・ 取扱説明書、取扱説明書から取付けて下さい。
- ・ 安全装置の一部を修理・調整が必要な場合は、必ず取扱説明書に従って下さい。
- ・ 取扱説明書、取扱説明書に従って下さい。
- ・ 取扱説明書の取扱説明書に従って下さい。

Husqvarna



3

5100 rpm

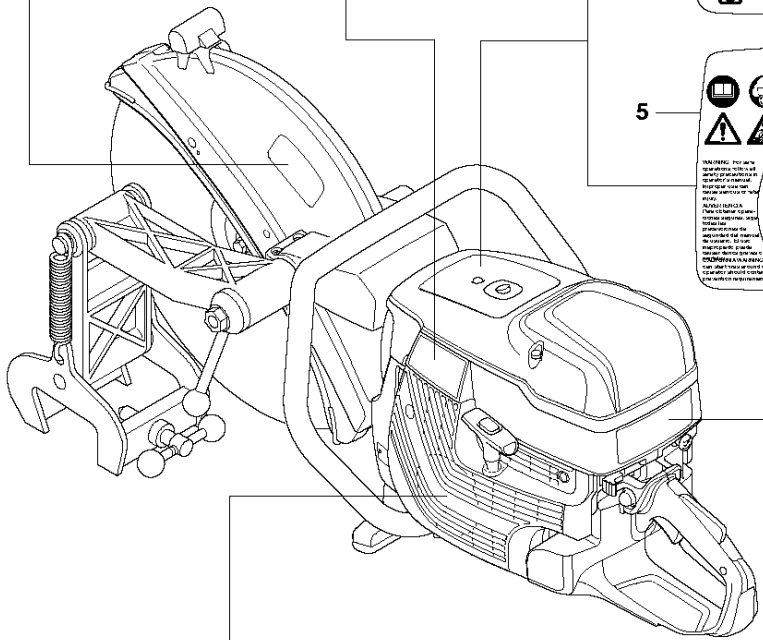
Husqvarna  
Made in Sweden

4

**K1270  
RAIL**

5

5



6

Husqvarna X-TORQ

7

## DECALS

K1270 II / K1270 II RAIL, 2019-12

Ref	Part No	Description	Remark	QTY KIT
1	576 12 10-02	DECAL	14" JAPAN	1
1	576 12 10-03	DECAL	16" JAPAN	1
2	544 87 36-01	LABEL		1
3	506 28 41-12	LABEL	14" Ø20	1
3	506 28 41-14	LABEL	14" Ø25,4	1
3	506 28 41-22	LABEL	16" Ø20	1
3	506 28 41-24	LABEL	16" Ø25,4	1
4	525 81 69-04	LABEL		1
5	589 02 38-04	DECAL		1
5	589 02 38-01	DECAL	USA, CANADA	1
6	582 14 19-01	DECAL		1
7	544 87 38-03	LABEL		1